

Dotted Lines Indicate Field Connections

Connect Line In from Motor Circuit at Main Control Panel

Note: FINAL SETTINGS

1. Turn Delay Dial to MAX
2. Turn Sensitivity Dial to 10%

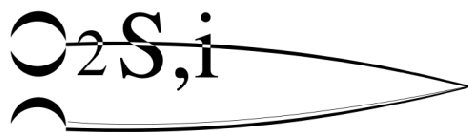
To Run a Test:

1. Energize Pump Circuit
2. Turn Delay Dial to MIN
3. Increase Sensitivity Dial until the alarm actuates

Use this Universal Alarm to indicate a loss of current to any pump, aerator or UV light.

Expected Draw	Number of Wraps
<1 amp	4 wraps
1 to 5 amp	2 wraps
5 to 10 amp	0 wraps

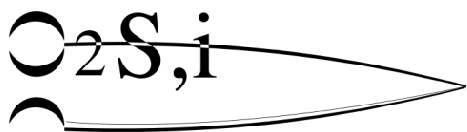
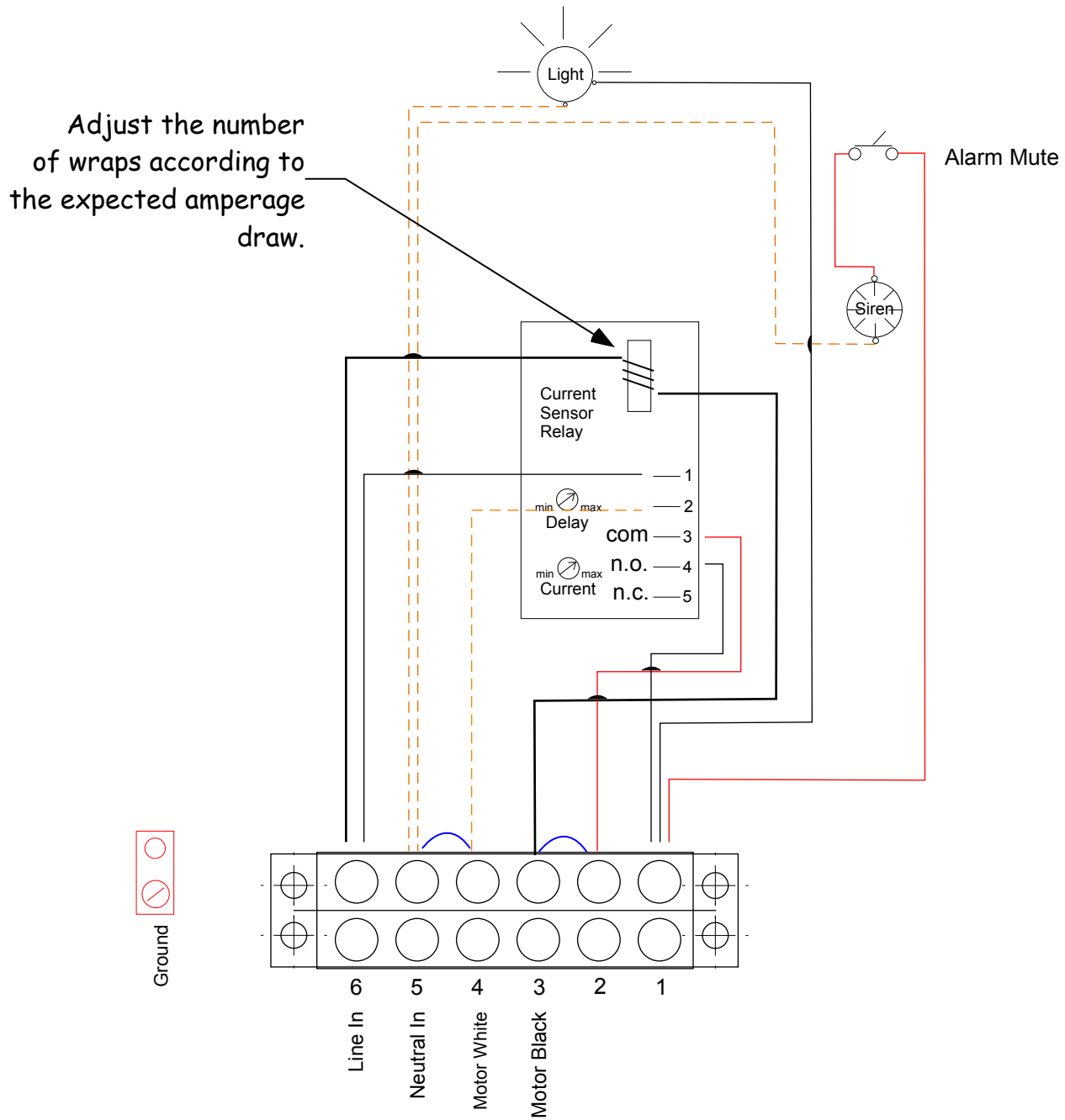
Adjust the number or wraps on circuit lead (6 to 3) according to the expected amperage draw.



Obsidian Onsite Services, inc.

PO Box 100, Tappahannock, VA 22560
804-925-1484 obsidianonsite@verizon.net

Universal Alarm Panel
2018-01-12



Obsidian Onsite Services, inc.

PO Box 100, Tappahannock, VA 22560
804-925-1484 obsidianonsite@verizon.net

Universal Alarm Panel
2018-01-12